

BEIJING HUADE HYDRAULIC INDUSTRIAL GROUP CO.,LTD.	Pressure remote relief valve, types DBT/DBWT		RE 25833/12.2004
	up to 31.5 MPa	up to 3L/min	Replaces: RE 25833/05.2001

Features:

- long distance remote control
- subplate mounting
- three adjustment elements:
 - Rotary knob
 - Hex. head screw with protective cap
 - Lockable rotary knob with scale



Function, section, symbols

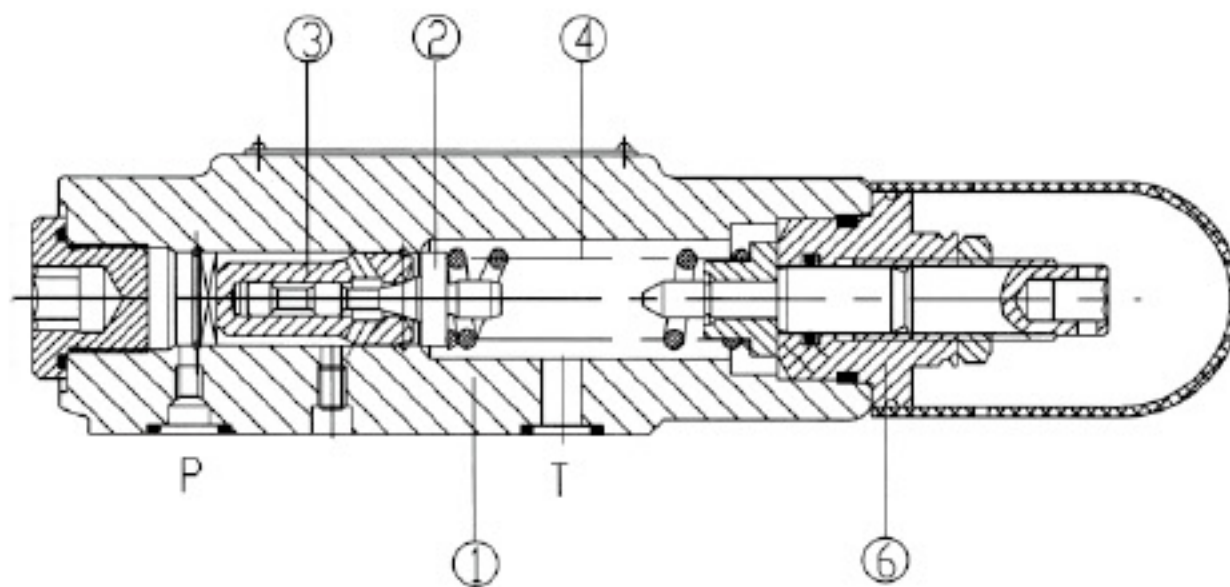
Types DBT and DBWT remote control pressure valves are pilot operated pressure relief valves.

Type DBT is apply to remote control the pressure of system.

Type DBT :

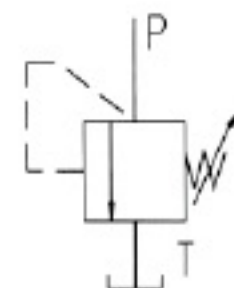
Type DBT consist mainly of the main valve (1), main spool (2), valve seat (3), and adjustment (6).

The pressure of system acts on the spool(2) via orifice. If the pressure exceeds the valve set at the spring, the pressure fluid drain to tank from port T(or drain external).



Type DBT...30/...

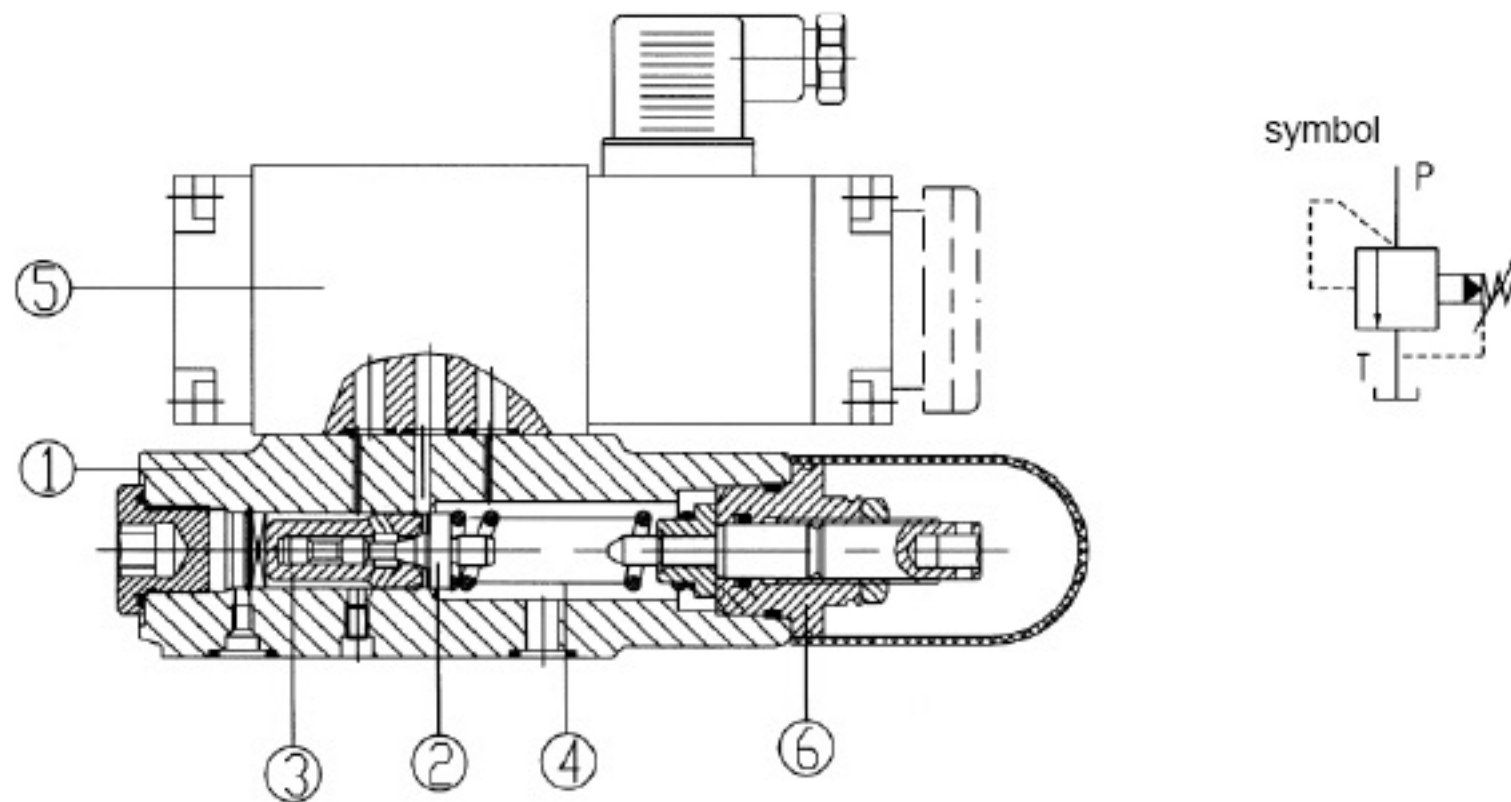
Symbol



Type DBWT:

Type DBWT consist mainly of the main valve (1), main spool (2), valve seat (3), electrically operated valve (5), and adjustment (6).

Type DBWT is apply to remote control the pressure of system and drain by actuating the electrically operated valve.



Type DBWT

ordering details

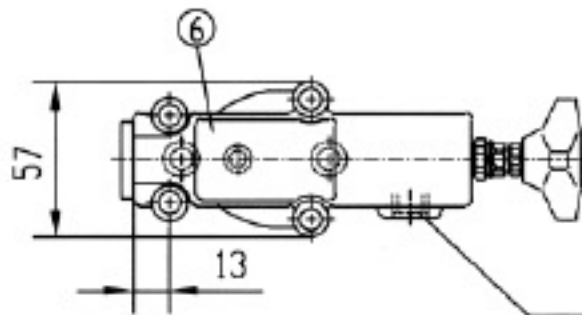
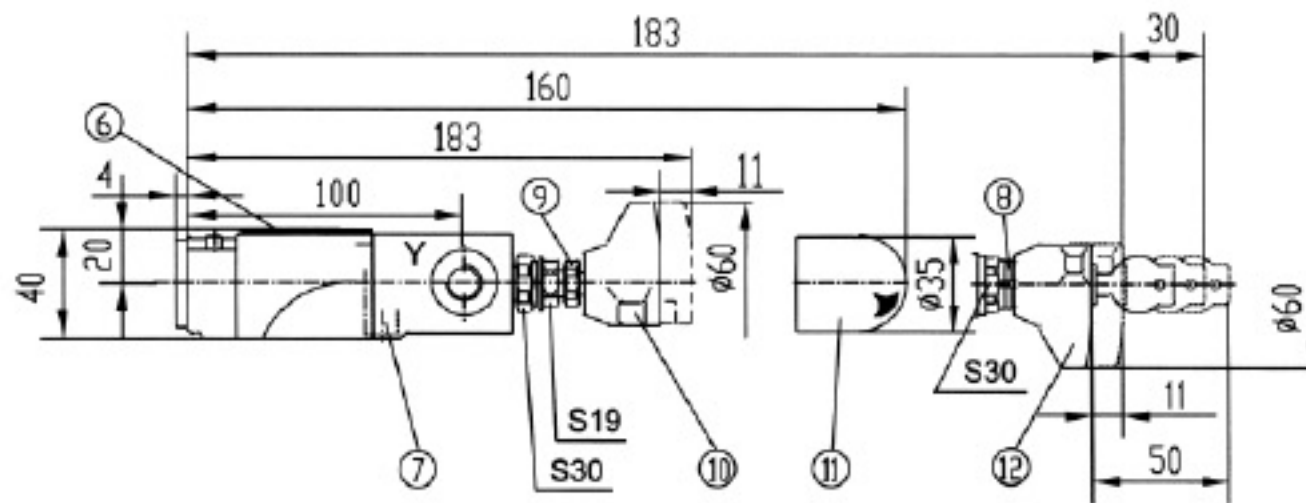
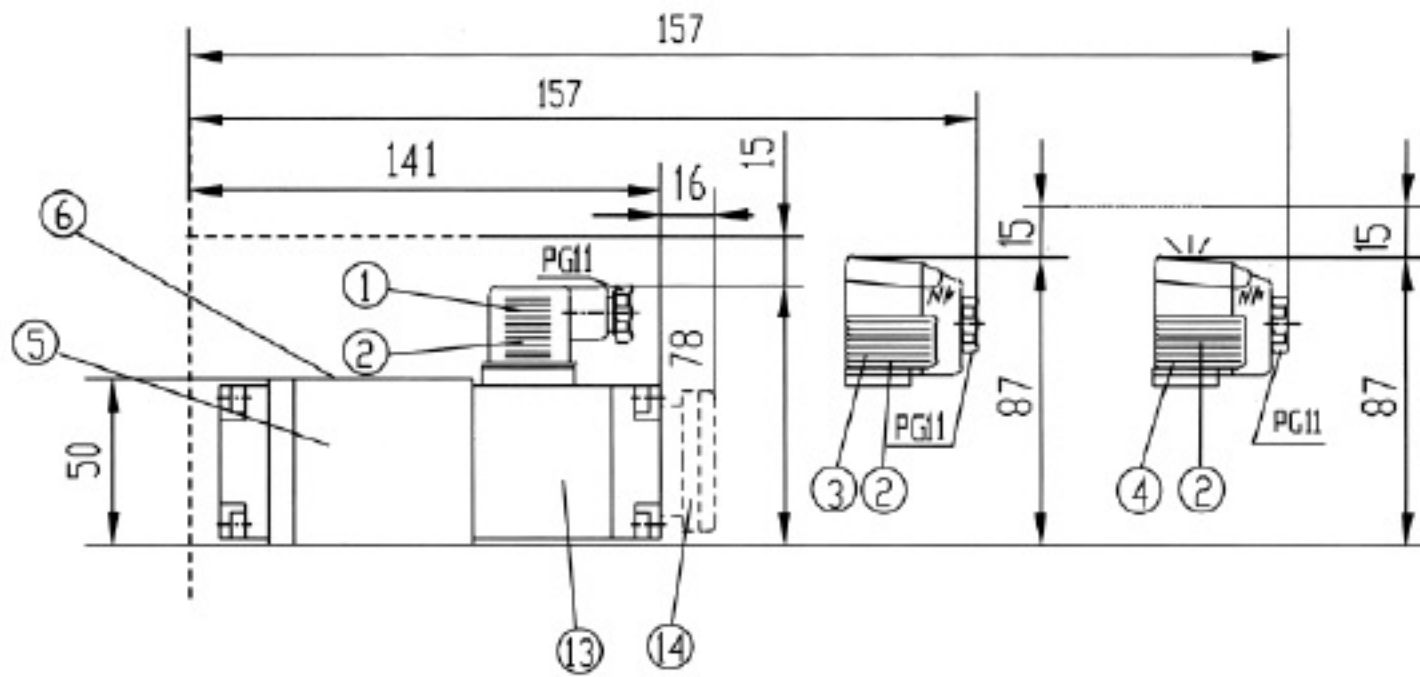
DB	T	- 30	B /	/	/	*
Without electrically operated valve =No code With electrically operated valve =W						Further details in clear text
Normally closed = A Normally open = B						No code = mineral oils V = phosphate ester
Rotary knob = 1 Sleeve with hexagon and protective cap = 2 Lockable rotary knob with scale = 3						No code = British 2 = Metric
Series 30 to 39 (30 to 39: unchanged installation and connection dimensions)		=30				Z4 = Plug-in connector Z5 = Large Plug-in connector Z5L = Large Plug-in connector with light
Technology of Beijing Huade Hydraulic			= B			No code = Without hand override N = With hand override
Settable pressure up to 10 MPa = 100 Settable pressure up to 31.5 MPa = 315						W220-50 = 220V 50Hz AC G24 = 24 V DC W220R = Solenoid commuting automatically 220V AC

Technical data

Pressure fluid	Mineral oil (for NBR seal), or phosphate ester (for FPM seal)	
Temperature range (°C)	-30 ~ +80	
Viscosity range (mm ² /S)	10 ~ 800	
max. flow (L/min)	3	
max. operating pressure (MPa)	31.5	
max. Setting pressure (MPa)	up to 10 or 31.5	
Back pressure	DBT (MPa)	up to 31.5
	DBWT (MPa)	up to 10 (AC) ; up to 16 (DC)
Pilot valve	see directional valve WE5	

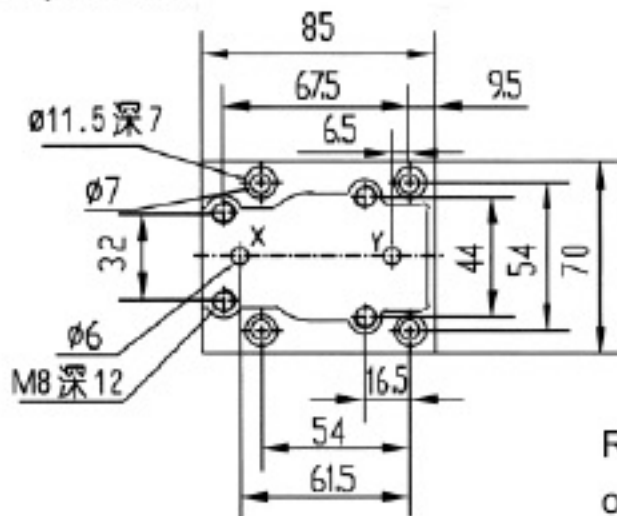
Unit dimensions:

(Dimensions in mm)



G1/4" /12 (DB...T...-30B...)
M14X1.5/12 (DB...T...-30B/.../2...)

subplate for:



Required surface finish
of mating piece

0.01/100mm



- 1 Plug-in connector without light "Z4"
- 2 Plug-in connector: colour gray
- 3 Plug-in connector large "Z5"
- 4 Plug-in connector with large light "Z5L"
- 5 Directional valves, type WE5
- 6 Nameplate
- 7 Port Y for drain external
- 8 Repeat adjusting scale
- 9 Only apply to 31.5 MPa
- 10 Adjustment element "1"
- 11 Adjustment element "2"
- 12 Adjustment element "3"
- 13 Solenoid "a"
- 14 Hand override, optional

Subplate G51/01, G51/02 ,see page 148
O-ring 9.25X1.78
Valve fixing screw (GB/T-70.1-2000)
4-M8X40-10.9

NOTICE

1. The fluid must be filtered. Minimum filter fineness is 20 μm .
2. The tank must be sealing up and an air filter must be installed on air entrance.
3. Products without subplate when leaving factory, if need them, please ordering specially.
4. Valve fixing screws must be high intensity level (class 10.9). Please select and use them according to the parameter listed in the sample book.
5. Roughness of surface linked with the valve is required to $\sqrt{0.8}$.
6. Surface finish of mating piece is required to 0.01/100mm.